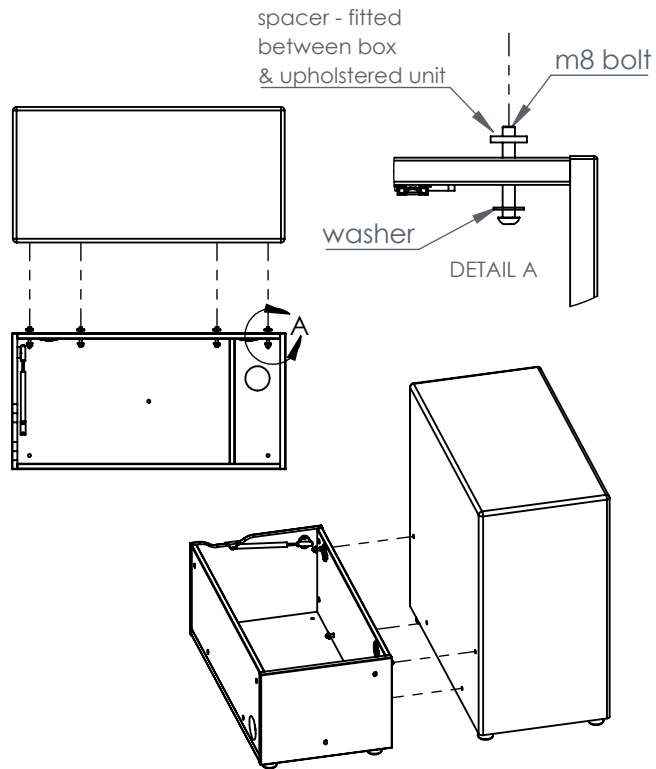


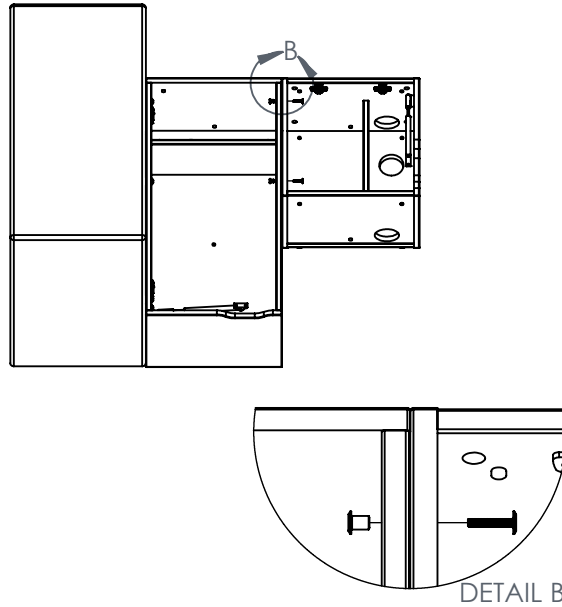
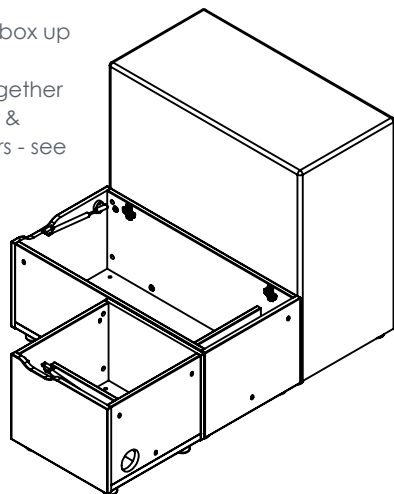
step 1

Bolt double width storage box to double width tall upholstered unit.
using 4 x m8 bolt, washer & spacer
Shown without top - it is not necessary to remove top.



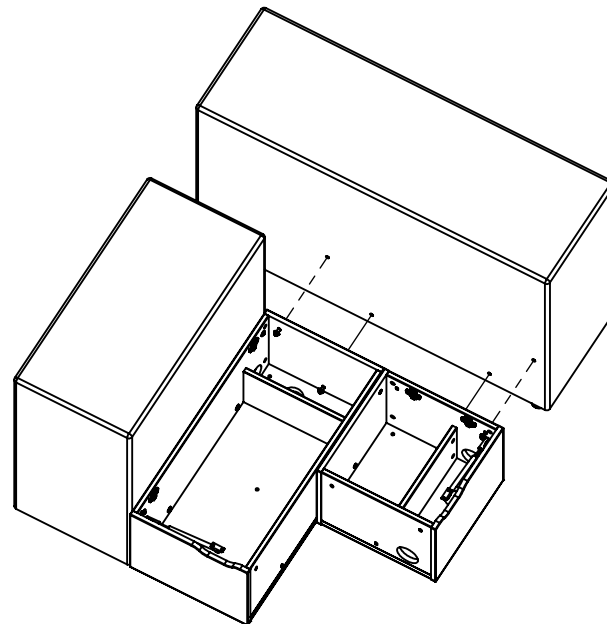
step 2

line small storage box up as below
bolt two boxes together using 2 x m6 male & female connectors - see detail 'B'



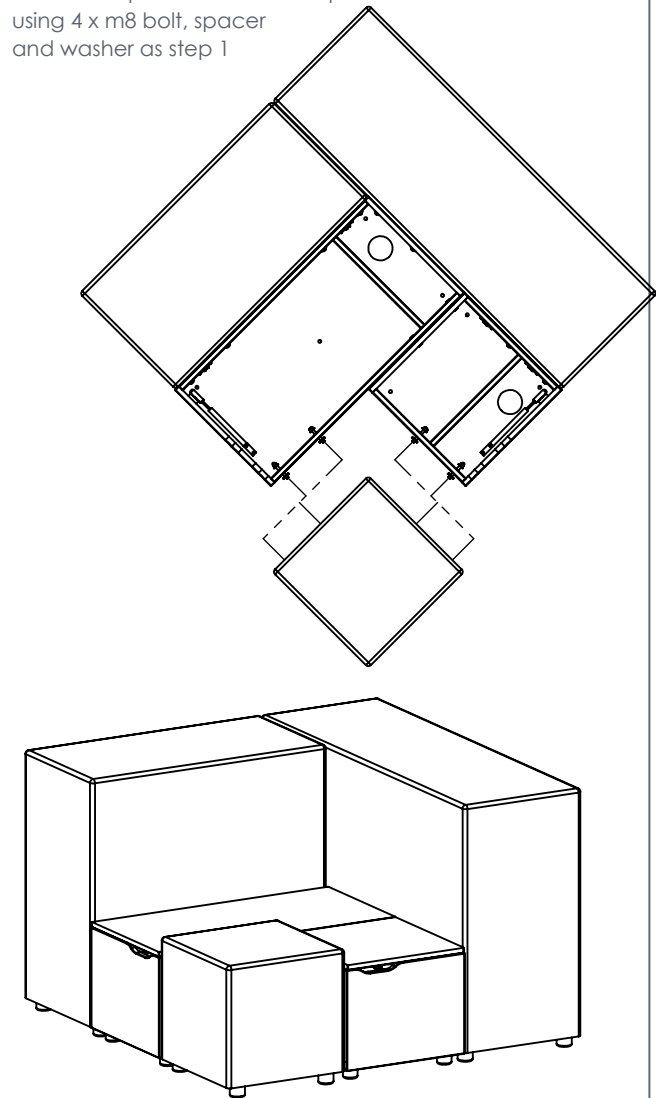
step 3

bolt triple width tall upholstered unit to storage box units as below.
using 4 x m8 bolt, washer and spacer as step 1.



step 7

bolt small upholstered cube in place as below using 4 x m8 bolt, spacer and washer as step 1



Stage Tiered Seating
Corner Unit Assembly Instructions

verco.

Chapel Lane, High Wycombe, Buckinghamshire, HP12 4BG
t: +44 (0) 448000 w: verco.co.uk

AI_0006 rev.1 PR 04/01/2021