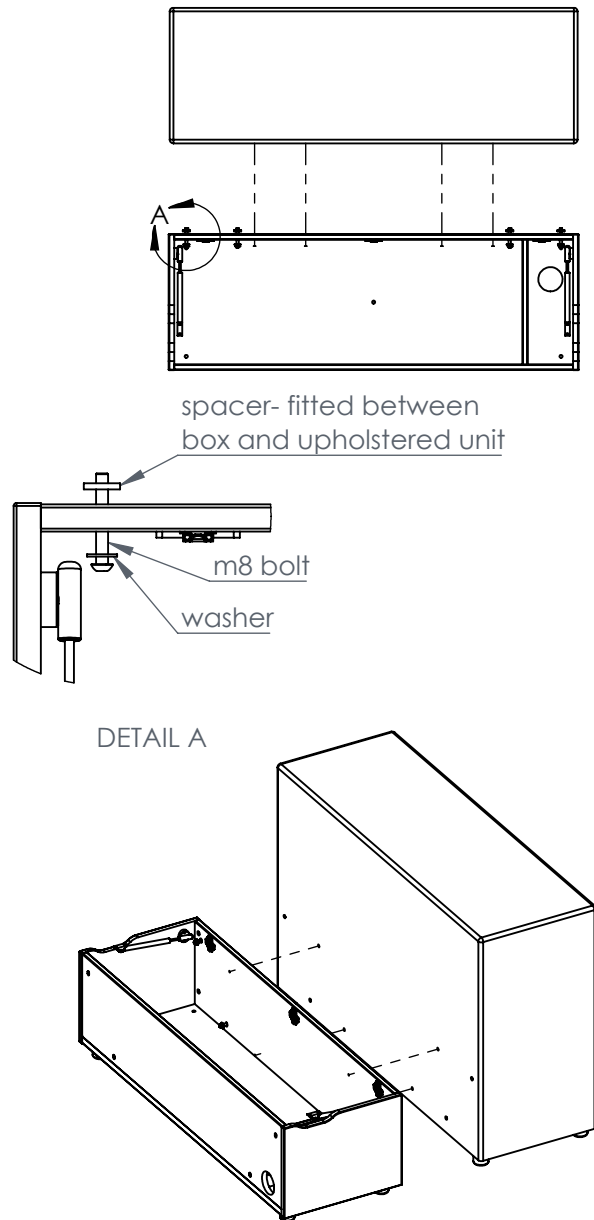


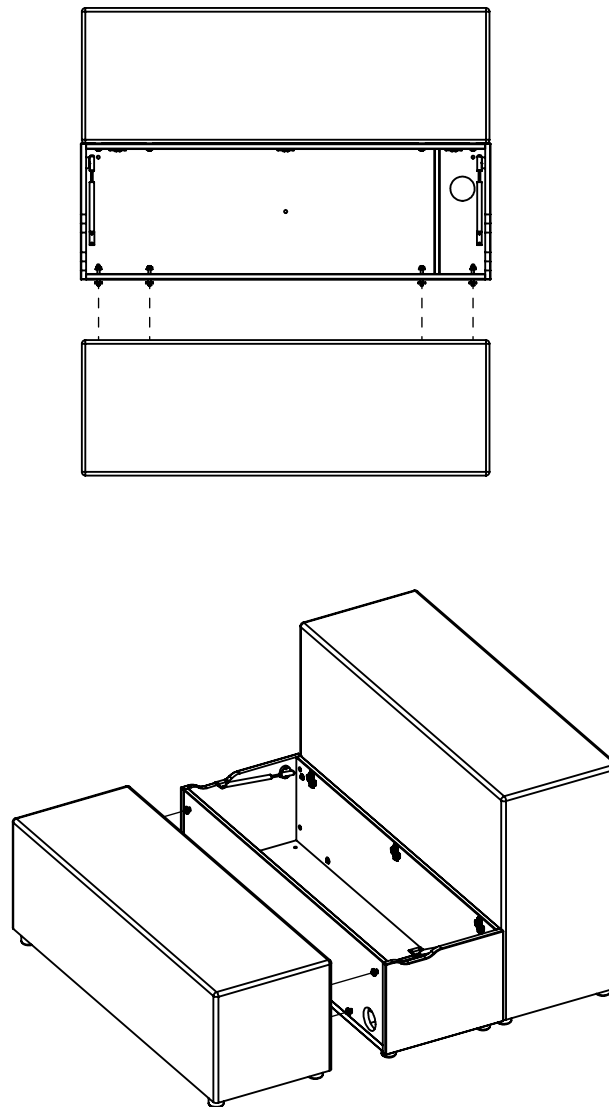
### step 1

Bolt storage unit to tall upholstered unit using 4 x m8 bolt, washer & spacer (3 bolts on OSC1)  
Shown without lid - it is not necessary to remove top.



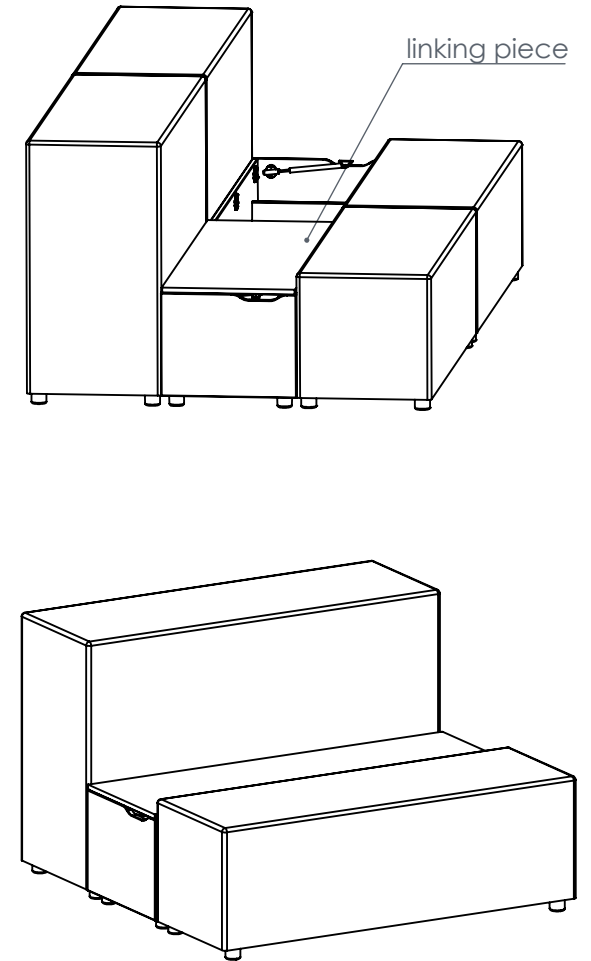
### step 2

Bolt low upholstered unit to storage unit using 4 x m8 bolt, washer & spacer - as step 1 (3 Bolts for OSC1)



### step 3

when two units are stood together the linking piece can be fitted over the scoops in the storage box ends



Oscar Tiered Seating  
Straight Unit Assembly Instructions

**verco.**

Chapel Lane, High Wycombe, Buckinghamshire, HP12 4BG  
t: +44 (0) 448000 w: verco.co.uk

AI\_0007 rev.0 PR 10/12/2018