

Assembly Instructions for
VISUAL Panel
 Interactive
 Crescent Desk

1 Carefully remove **Desk Top (A)** from packaging, place **Desk Top (A)** upside down on top of empty packaging. Remove **Fixings** from separate packaging.

Check all items against the **Contents List**, should any parts be missing, please contact **Customer Services** on **01494 448000**.

2 Take 4x **Wood Minifix Bolts (K)**, and screw into 4x Pre-Drilled Holes on 800mm side of **Desk Top (A)**.

3 Take 3x **Wood Minifix Bolts (K)**, and screw into 3x Pre-Drilled Holes on 600mm return side of **Desk Top (A)**.

4 Take 4x **Metal Minifix Bolts (L)** and screw 'finger-tight' into both sides of **Corner Column (F)**. Take care not to over-tighten **Metal Minifix Bolts (L)**.

5 Fix **Back Panel Bracket (H)** onto inside of **Long Modesty Panel (D)** using 2x **Flange Head Screws (I)** into the 2x Pilot Holes.

6 To fit the **Long Modesty Panel (D)**, take **Desk Panel End (B)** and 2x **Wood Minifix Bolts (K)**, and screw into 2x Pre-Drilled Holes on **Desk Panel End (B)**.

7 Carefully position **Desk Panel End (B)** over **Wood Minifix Bolts (K)** on **Desk Top (A)**. Using a Phillips Screwdriver, turn **Minifix Cams (M)** 180° clockwise to lock in position.

8 Offer **Long Modesty Panel (D)** up to **Desk Panel End (B)**, ensuring that **Minifix Cams (M)** are fully located over **Wood Minifix Bolts (K)**, and tighten as above.

9 Take **Corner Column (F)**, and locate **Metal Minifix Bolts (L)** into remaining **Minifix Cams (M)** on **Long Modesty Panel (D)**, and tighten.

10 Take **Short Modesty Panel (E)** and offer up to **Corner Column (F)**, ensuring that **Minifix Cams (M)** are fully located over **Metal Minifix Bolts (L)**, but do not tighten.

11 Take **Return Panel End (C)** and 2x **Wood Minifix Bolts (K)**, and screw into 2x Pre-Drilled Holes on **Return Panel End (C)**.

12 Take **Return Panel End (C)** and locate **Minifix Cams (M)** over remaining **Wood Minifix Bolts (K)** in **Short Modesty Panel (E)**, and tighten.

13 Lift and place **Return Panel End (C)** over 3x **Wood Minifix Bolts (K)** on **Desk Top (A)** and once securely positioned, tighten up **Minifix Cams (M)**.

14 Position Complete Frame so that **Corner Column (F)** is in position over Cable Port hole as shown in **Figure 2**. Tighten up all **Minifix Cams (M)** which remain unlocked.

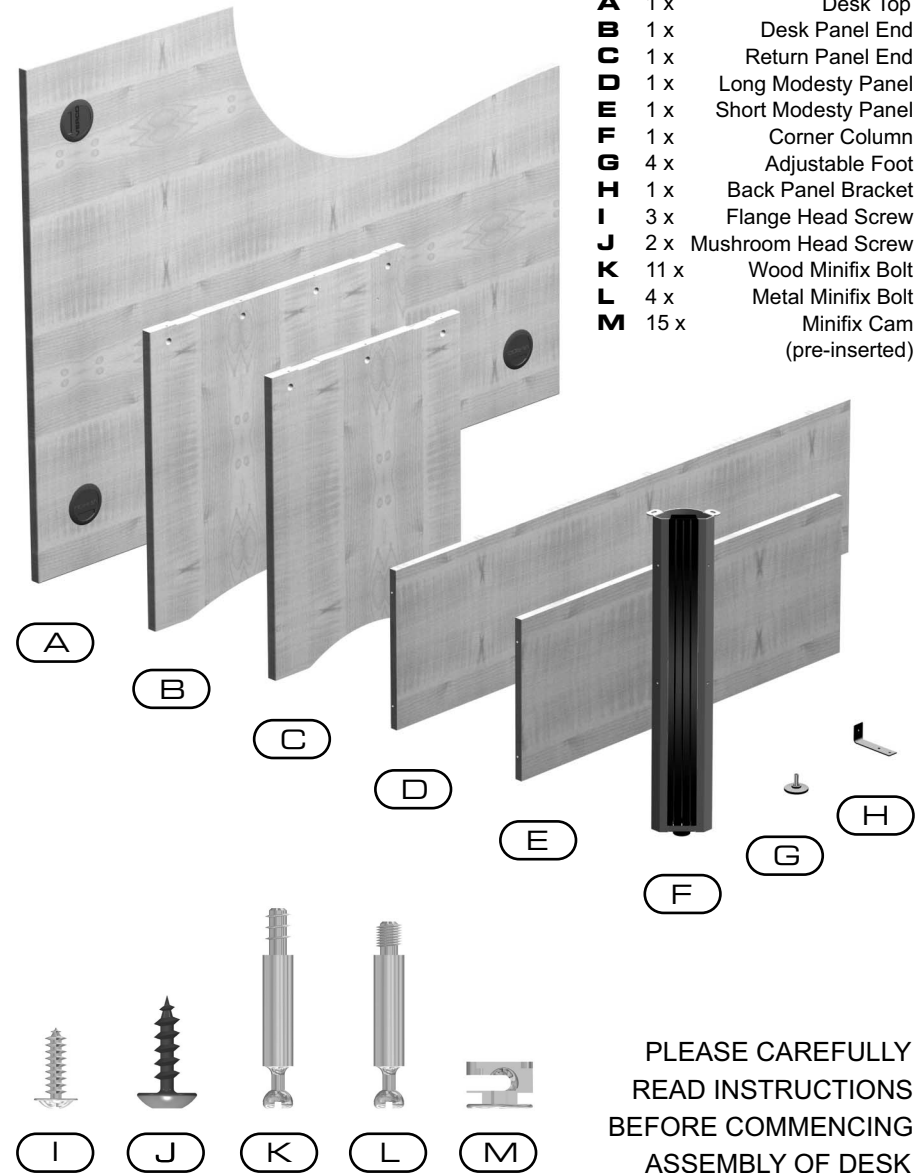
15 Using 2x **Mushroom Head Screws (J)**, fix **Corner Column (F)** to **Desk Top (A)**. Take 1x **Flange Head Screw (I)** and fix **Back Panel Bracket (H)** to underside of **Desk Top (A)**.

16 Screw 4x **Adjuster Feet (G)** into the threaded inserts in the 2x **Desk Panel Ends (B+C)**.

17 With the assistance of at least one other person, carefully turn entire Desk over and place in desired position.

CONTENTS

A	1 x	Desk Top
B	1 x	Desk Panel End
C	1 x	Return Panel End
D	1 x	Long Modesty Panel
E	1 x	Short Modesty Panel
F	1 x	Corner Column
G	4 x	Adjustable Foot
H	1 x	Back Panel Bracket
I	3 x	Flange Head Screw
J	2 x	Mushroom Head Screw
K	11 x	Wood Minifix Bolt
L	4 x	Metal Minifix Bolt
M	15 x	Minifix Cam (pre-inserted)



PLEASE CAREFULLY
 READ INSTRUCTIONS
 BEFORE COMMENCING
 ASSEMBLY OF DESK

VISUAL Panel

including model nos:

- V3 ICD / 1612/L
- V3 ICD / 1612/R
- V3 ICD / 1812/L
- V3 ICD / 1812/R

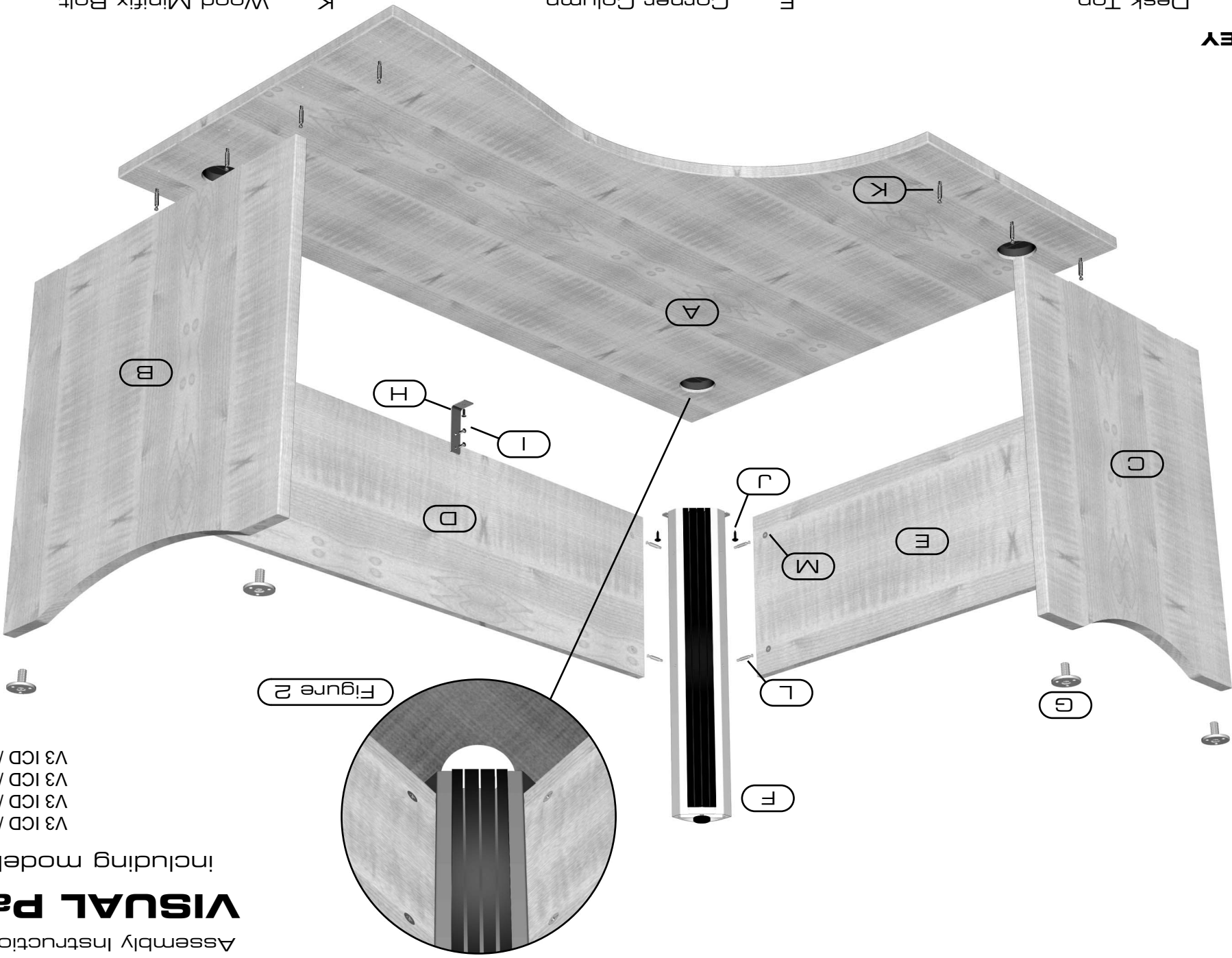


Figure 2

KEY

- A Desk Top
- B Desk Panel End
- C Return Panel End
- D Long Modesty Panel
- E Short Modesty Panel

- F Corner Column
- G Adjustable Foot
- H Back Panel Bracket
- I Flange Head Screw
- J Mushroom Head Screw

- K Wood Minifix Bolt
- L Metal Minifix Bolt
- M Minifix Cam

- (pre-inserted)