

VISUAL Two

Rectangular and
Wave Desks

1 Carefully remove **Desk Top (A)** from packaging, place **Desk Top (A)** upside down on top of empty packaging. Remove **Fixings** from separate packaging.

Check all items against the **Contents List**, should any parts be missing, please contact **Customer Services** on **01494 448000**.

2 Take both of the **800mm Leg Frames (C+D)**, and screw 2x **Metal Minifix Bolts (H)** 'finger-tight' into the 2x Pre-Drilled Holes on the inside of each Leg Frame. **Take care not to over-tighten Metal Minifix Bolts (H)**.

3 Carefully position the **RH 800mm Leg Frame (C)** over 3x Pilot Holes in **Desk Top (A)**, making sure that the Vertical Wipe-in Channels are on the inside of the Desk.

4 Using 3x **Mushroom Head Screws (G)**, fix the **800mm Leg Frame (C)** to underside of **Desk Top (A)**.

5 Fix **Back Panel Bracket (E)** onto inside of **Modesty Panel (B)** using 2x **Flange Head Screws (F)** into the 2x Pilot Holes. (This only applies to Desk Tops over 1400mm).

6 Offer **Modesty Panel (B)** up to the **RH 800mm Leg Frame (C)**, ensuring that **Minifix Cams (I)** are fully located over **Metal Minifix Bolts (H)**, but do not tighten.

7 Offer the **LH 800mm Leg Frame (D)** up to the **Modesty Panel (B)**, ensuring that **Minifix Cams (I)** are fully located over **Metal Minifix Bolts (H)**, Using a Phillips Screwdriver, turn **Minifix Cams (I)** 180° clockwise to lock in position.

8 Carefully position the **LH 800mm Leg Frame (D)** over 3x Pilot Holes in **Desk Top (A)**, making sure that the Vertical Wipe-in Channels are on the inside of the Desk. .

9 Using 3x **Mushroom Head Screws (G)**, fix the **LH 800mm Leg Frame (D)** to underside of **Desk Top (A)**.

10 Tighten up all **Minifix Cams (I)** which remain unlocked.

11 Using 1x **Flange Head Screw (F)**, fix **Back Panel Bracket (E)** to underside of **Desk Top (A)**. (This only applies to Desk Tops over 1400mm).

12 With the assistance of at least one other person, carefully turn entire Desk over and place in desired position.

OFFICE FURNITURE LIMITED

t. +44 (0) 1494 448000

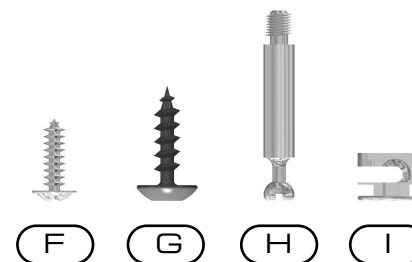
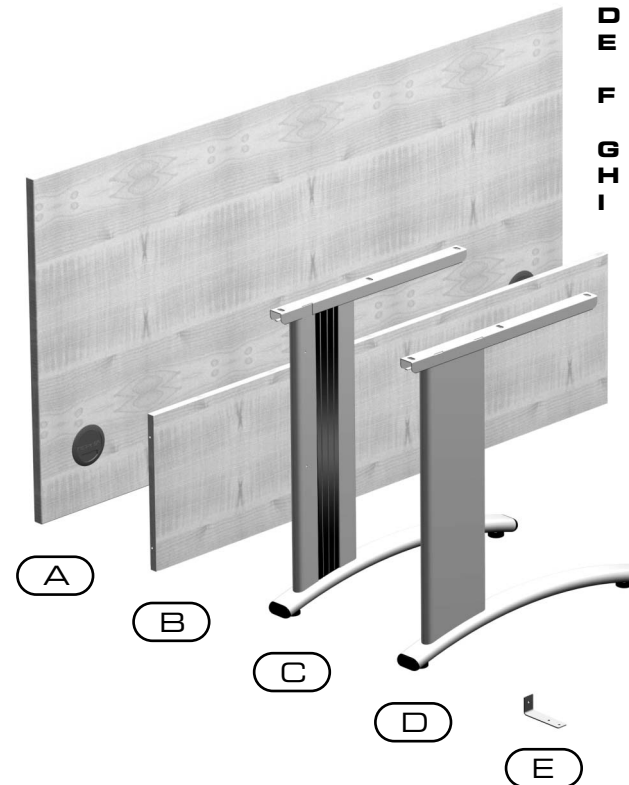
w. www.verco.co.uk

VISUAL Two

Rectangular and
Wave Desks

CONTENTS

A	1 x	Desk Top
B	1 x	Modesty Panel
C	1 x	RH 800mm Leg Frame
D	1 x	LH 800mm Leg Frame
E	1 x	Back Panel Bracket (Desks over 1400mm)
F	3 x	Flange Head Screw (Desks over 1400mm)
G	6 x	Mushroom Head Screw
H	4 x	Metal Minifix Bolt
I	4 x	Minifix Cam (pre-inserted)



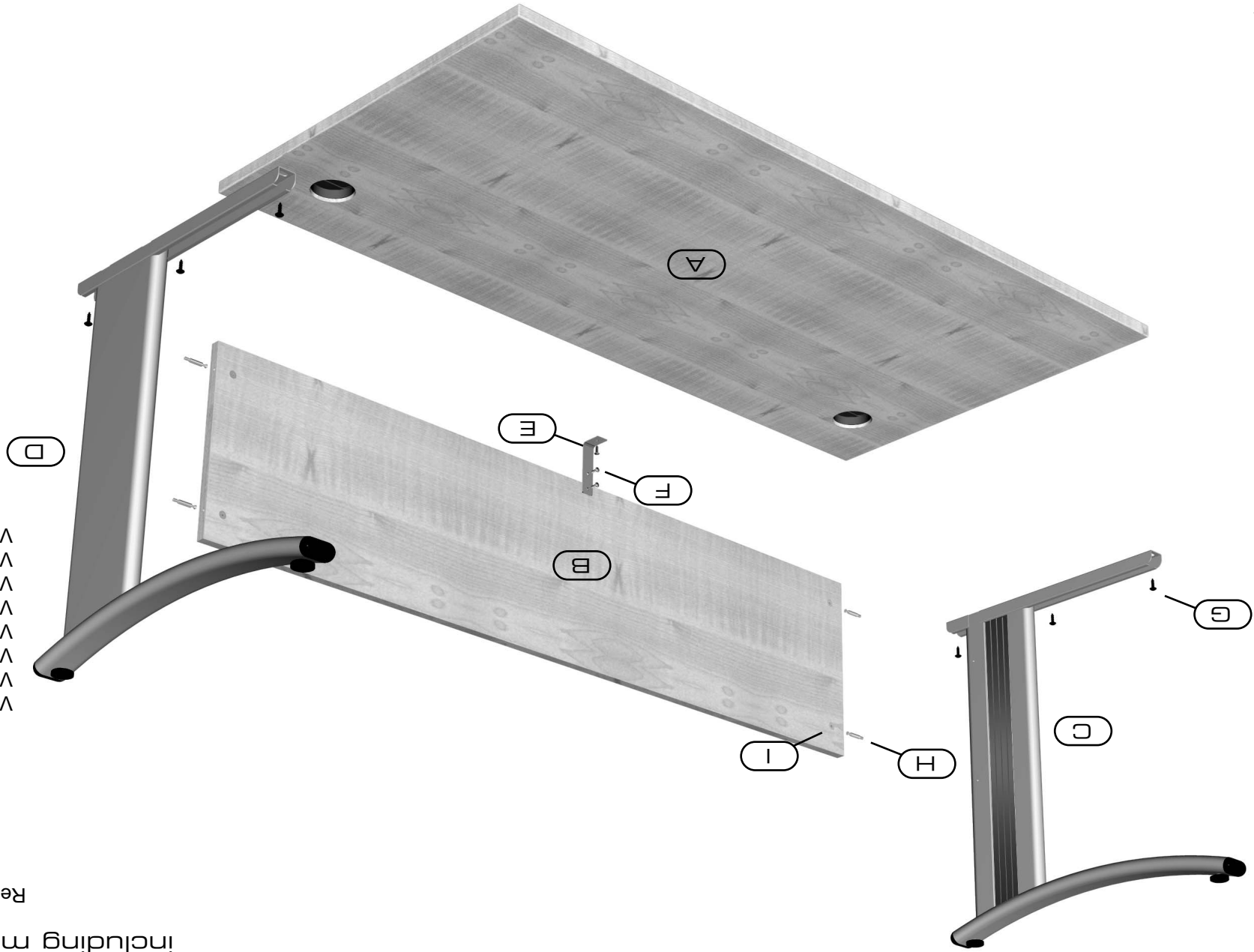
PLEASE CAREFULLY
READ INSTRUCTIONS
BEFORE COMMENCING
ASSEMBLY OF DESK

VISUAL TWO

including model nos:

Rectangular Desks
 V2 RD / 1008
 V2 RD / 1208
 V2 RD / 1408
 V2 RD / 1608
 V2 RD / 1808

Wave Desks
 V2 WD / 1210 / L
 V2 WD / 1210 / R
 V2 WD / 1410 / L
 V2 WD / 1410 / R
 V2 WD / 1610 / L
 V2 WD / 1610 / R
 V2 WD / 1810 / L
 V2 WD / 1810 / R



KEY

A Desk Top
 B Modesty Panel
 C RH 800mm Leg Frame

D LH 800mm Leg Frame
 E Back Panel Bracket
 F Flange Head Screw

G Metal Minifix Bolt
 H Minifix Cam (pre-inserted)
 I Mushroom Head Screw