

VERU



profile chairs

profileexperience

REUTERS

At Verco, we think about people as individuals. And we are passionate about innovation and excellence.

It's this ethos that underpins everything we do. We are firm believers in traditional crafts – alongside the latest in technology.

So we can provide real solutions to help you to develop your business. Which means looking after your workforce.

That's why we developed a superb new range of chairs – the **profile** range – providing the latest in comfort and style.

Quality, craftsmanship and choice - classic VERCO.



FM20306

watch your back...



All the comfort that you'd expect from VERCO.

The design of the chair is one of the most important workstation considerations.

It affects the user's posture; the amount of effort required to maintain a position, but also the freedom to change it when necessary; blood circulation and the maintenance of an even pressure on the spinal discs.

The ergonomically designed **profile** back fits naturally into the curve of the spine while two heights of chair back ensure the versatility required by today's modern office.

The option of fixed, height adjustable or deluxe adjustable arms help combat the potentially painful problem of repetitive strain injury.

VERCO - where seating solutions take shape.

it's all in the details...

Providing the perfect balance of relaxation and support.

A distinct waterfall front-edge to the contoured, posture seat reduces the pressure under the thighs and a further optional seat depth adjustment ensures the ability to tailor the chair to fit each user for ultimate comfort.

Elegant ergonomic backs - shaped to fit and where the ability to change the back height is made simple - ensure each and every user is supported correctly.

Designed for life.



so versatile...

Adaptable to any environment, and equally at home in a small business, corporate office or conference room.

Profile harmonises with its surroundings, offering an immaculate result for every kind of workstation.

The perfect match.



customise your chair



With a choice of back heights, mechanisms, arm specification and frame finish, **profile** can be moulded to your personal requirements and preferences.

With its elegant upholstery and superb attention to detail, it provides the high quality you expect from the UK's leading seating designers.

Tailor-made for you.

welcomevisitors

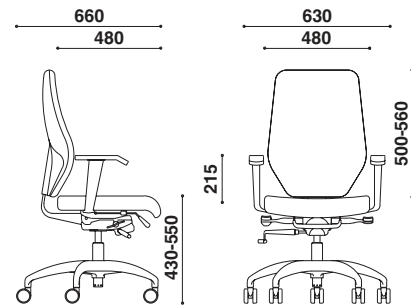


As practical, versatile and stylish as the rest of the **profile** collection, the visitor chair range offers a choice of three robust frames and three upholstery formats, providing the diversity required in today's competitive workplace.

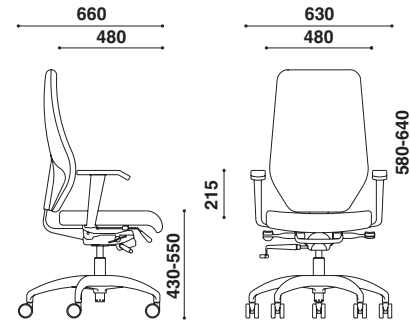
Making a good impression.

profile operator

Medium back



High back



Options



Back rake mechanism



Independent seat tilt mechanism



Synchronised mechanism



Seat slide - depth adjustment



Inflatable lumbar adjustment



Fixed arms



Adjustable arms



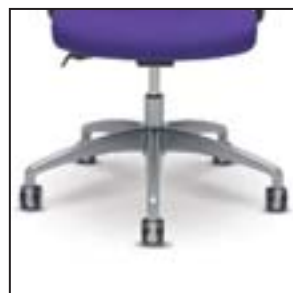
Standard arm pads



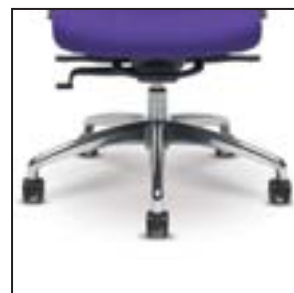
Soft touch arm pads



Black base



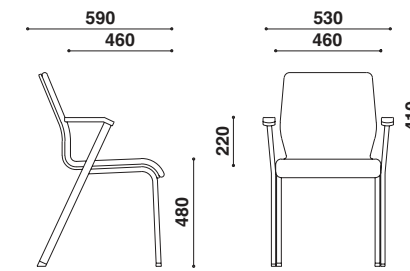
Silver base



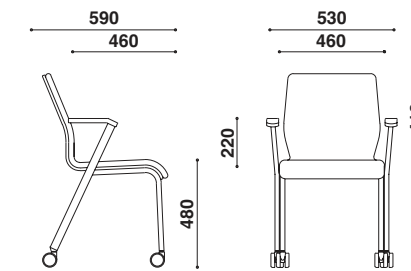
Polished base

profile visitor

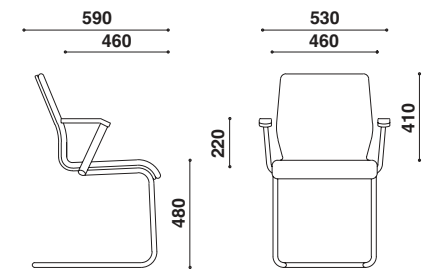
Four legged



Four legged with castors



Cantilever



Options



Four legged



Four legged with castors



Cantilever



With or without arms



Polished wooden shell



Part upholstery



Full upholstery



Linked chairs



Connecting detail



Black frame



Silver frame



Chrome frame

Profile is manufactured under the stringent BS EN ISO 9001:2000 Quality Assurance Standard and carries the full VERCO five year guarantee in normal use

Profile has been designed to comply with all current UK and European performance standards, including: BS EN 1335 - 1, BS EN 1335 - 2, BS EN ISO 9241 - 5:1999, BS 5459:2000 part 2 level 'S'.

VERCO Office Furniture Limited
Chapel Lane Sands
High Wycombe
Buckinghamshire
HP12 4BG England

t. +44 (0) 1494 448000
f. +44 (0) 1494 464216
w. www.verco.co.uk
e. info@verco.co.uk